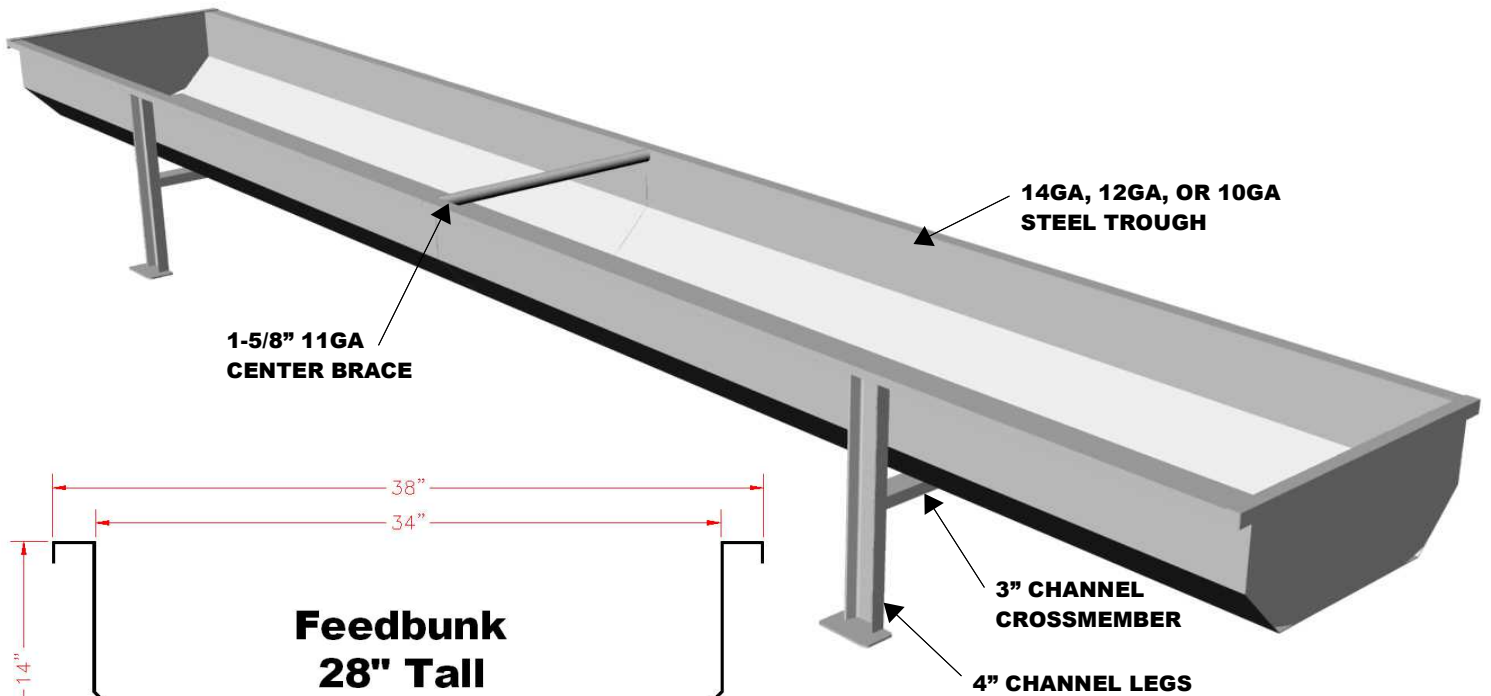


FEEDBUNK "LIP OUT" W/ CHANNEL LEGS



LEG DISTANCE CHART	
DISTANCE FROM END OF BUNK TO LEG	
10'-0"	22"
15'-0"	28"
16'-0"	28"
20'-0"	42"

FEEDBUNK "LIP OUT" SPECIFICATIONS

MATERIALS

TROUGH:	14GA, 12GA, OR 10GA
CENTER BRACE	1-5/8" 11GA ROUND TUBE
LEGS	4" STANDARD CHANNEL
LEGBRACE	3" STANDARD CHANNEL

FEATURES

- WELDED CONSTRUCTION
- DRAIN HOLES IN ENDCAPS
- LARGE OPENING "EASY TO FILL"

OUR CHANNEL LEG BUNKS ARE ECONOMICALLY CONSTRUCTED TO PROVIDE YOU WITH THE BEST VALUE IN BUNK FEEDING EQUIPMENT. THESE BUNKS CAN BE MADE WITH 14GA, 12GA, OR 10GA SHEET, ALLOWING YOU TO CUSTOMIZE THE BUNKS TO YOUR NEEDS.

ANY LENGTH IS AVAILABLE, 20FTERS ARE STANDARD.