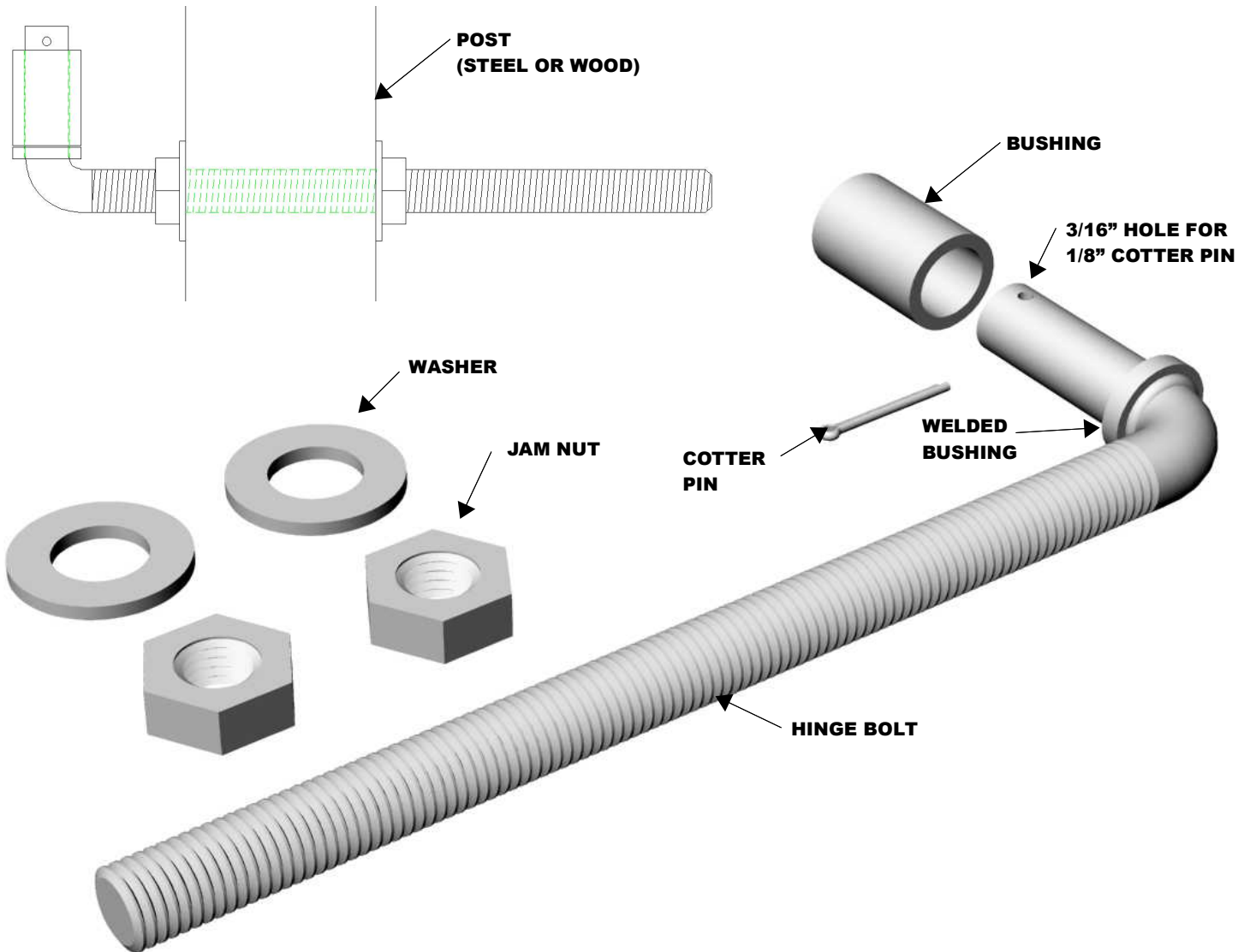


GATE HINGE KITS



HINGE KITS

OUR HINGE KITS INCLUDES THE PARTS SHOWN ABOVE. A QUANTITY OF 2 HINGE KITS ARE NEEDED PER GATE. INSTALLATION IS SIMPLE, AS SHOWN IN THE DIAGRAM ON THE TOP LEFT OF THE PAGE.

THE HINGE BOLT HAS 12" OF THREAD TO ALLOW FOR ADJUSTMENT AND INCLUDES 2 WASHERS AND 2 JAM NUTS FOR MOUNTING THE HINGE BOLT TO YOUR POST.

A BUSHING IS INCLUDED IN EACH KIT. THE BUSHING IS TO BE WELDED TO YOUR GATE OR GATE CLAMP DEPENDING YOUR APPLICATION.

EACH HINGE KIT ALSO INCLUDES A COTTER PIN. ONCE YOUR GATE IS INSTALLED AND ADJUSTED THE COTTER PIN IS USED TO PREVENT THE GATE FROM BEING LIFTED OFF THE HINGE BOLT.

IF OUR HINGE KITS DO NOT MEET YOUR NEEDS PLEASE CONTACT OUR SALES STAFF AND WE CAN CUSTOM BUILD A HINGE KIT TO MEET YOUR SPECIFICATIONS.