

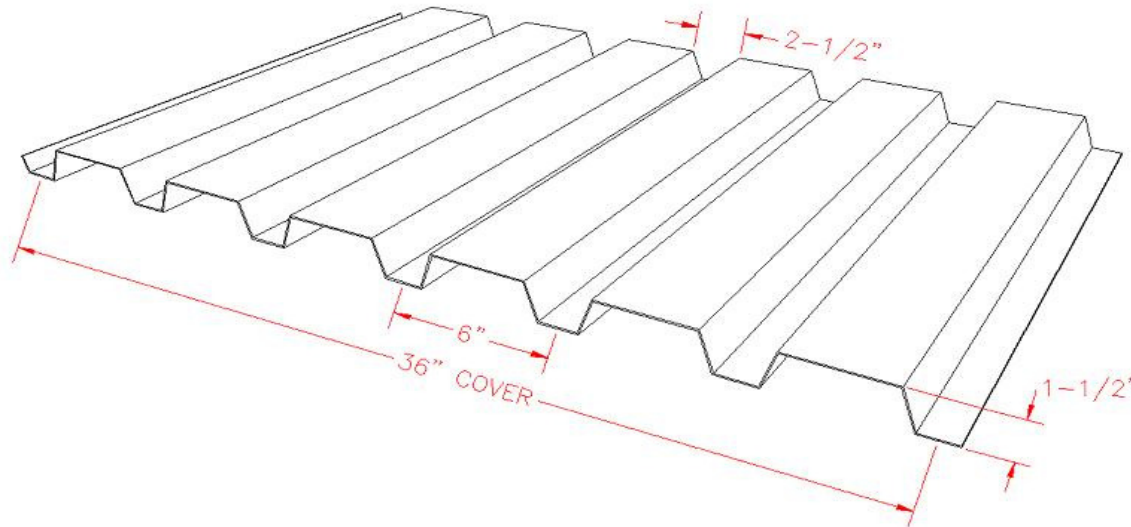
Macksteel Deck - also known as SuperSteel, Windbreak, or RoofDeck

415 20th Ave SE, Watertown, SD 57201

Phone (605)882-2177 Fax (605)882-2980

www.macksteel.com

sales@macksteel.com



Uses Include:

Windbreak Fence, Calf Shelters, Chute Liners, Building Siding, Concrete Decking and more. Call us today for quotes and more information regarding Macksteel Roof Deck

Section Properties (per ft. of width)

Gage	Thickness in	Wt. (psf)	
		Galv.	Ptd.
22	0.0295	1.8	1.7
20	0.0358	2.2	2.1
18	0.474	2.9	2.8
16	0.06	3.6	3.5

Allowable Uniform Total Loads - psf $F_y = 33$ ksi

Number of Spans	Type	Span - Feet & Inches											
		5'-0"	5'-6"	6'-0"	6'-6"	7'-0"	7'-6"	8'-0"	8'-6"	9'-0"	9'-6"	10'-0"	
1 Span	22	92	72	58	47	40	34	30					
	20	116	90	72	58	49	42	36	32				
	18	162	125	98	79	66	55	47	41	36	32		
	16	206	157	123	99	81	68	58	50	44	39	35	
2 Span	22	100	82	69	59	51	45	39	35	31			
	20	122	101	85	73	63	55	48	43	38	34	31	
	18	163	135	113	97	84	73	64	57	51	45	41	
	16	205	170	143	122	105	92	81	72	64	57	52	
3 Span	22	124	103	86	74	64	56	49	43	39	35	31	
	20	152	126	106	91	78	68	60	53	46	41	36	
	18	202	168	141	121	104	91	80	69	60	52	46	
	16	255	211	178	152	131	115	101	85	74	64	56	

Table based on an end bearing of 2" and an interior bearing of 4"